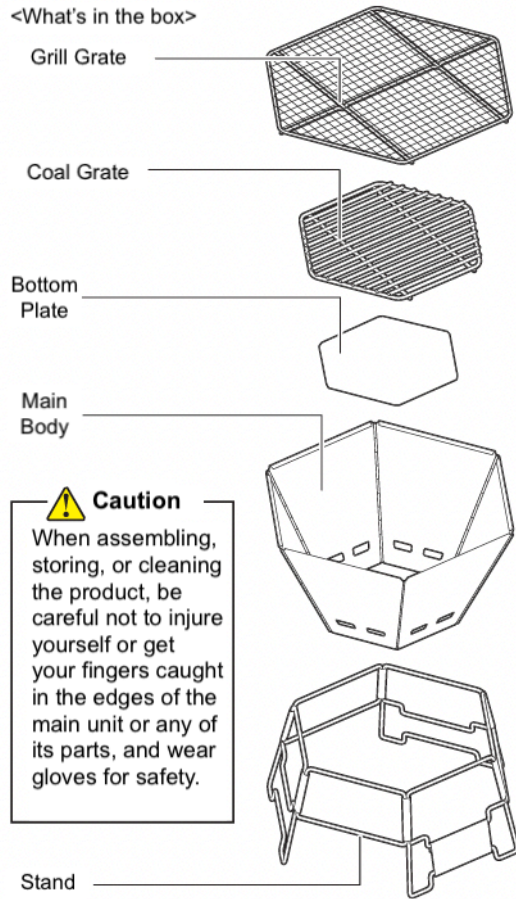


M-6500 Instruction Manual

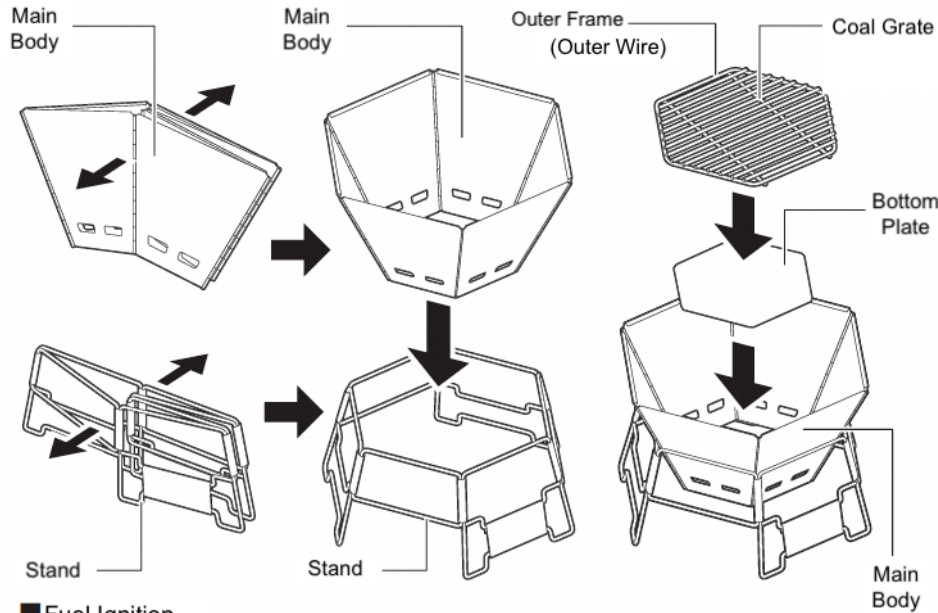
<What's in the box>



Caution
 When assembling, storing, or cleaning the product, be careful not to injure yourself or get your fingers caught in the edges of the main unit or any of its parts, and wear gloves for safety.

Assembly Instruction

- ① Open the main unit and the stand to form a hexagonal shape and insert the main unit into the stand.
- ② Place the bottom plate inside of the main body and set it parallel to the ground.
- ③ Place the coal grate inside of the main body with the outer frame facing down and set it parallel to the ground.



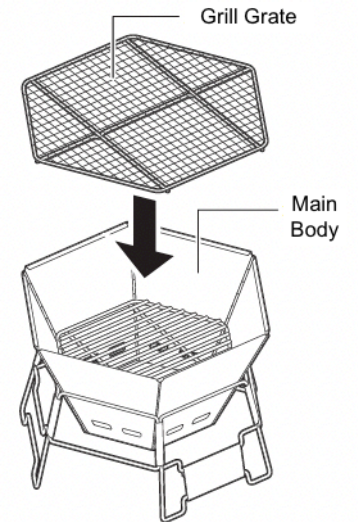
Fuel Ignition

- ① Place the appropriate amount of fuel on the coal grate and ignite it.
 - ※Place charcoal or firewood on the coal grate and avoid touching the sides of the main body.
 - ※If using a fire starter, place it under the charcoal or firewood to ignite it.
- ⚠ Caution: Read the precautions for the fuel and igniter carefully to avoid burns and injuries.
- ② Once the fire is started and the heat is stable, set the grill grate according to the intended use.

How to set the grill grate

Place the grate grill inside the main body and set it parallel to the ground.

⚠ Caution: To avoid risk of misalignment and falling, be sure to set the grill grate inside the main body and parallel to the ground.





Danger Misuse could easily result in a serious accident or death

- This product is exclusively designed and made for outdoor use. Do not use the product indoor (such as in a house, a tent, a vehicle or other closed spaces.) Please use the product in an area with adequate ventilation.
- Do not use the product near houses or tents, in or near tarps, on decks, or around sheets.
- Do not use in the presence of flammable materials such as dead trees and dead grass. It may result in fire or burns.
- Do not use gasoline, kerosene, alcohol, or other liquid fuels or hazardous materials as fuel or ignition. It may cause fire or burns.
- Do not place or keep combustible or flammable materials around or near the product while in use. It may result in fire or burns.
- Do not carry or move the grill while in use as it is dangerous.



Warning Misuse could result in injury to the user and/or damage to property

- Before use, ensure there is no flammable or heat-sensitive objects around. In addition, do not use the product near flammable objects such as a tent or a tarp.
- Do not use the products where a risk of wildfire is high such as on dry grass or near dried debris. Please check with a local safety officials.
- Do not use the product on uneven or uneven surfaces, on slopes, in sandy or muddy areas, or in other soft or slippery places.
- The body and handle will be very hot during and after use, so please handle with care. Be careful to avoid burns and other hazards. Please be especially careful when infants and children are present.
- Be sure to wear thick gloves when handling.
- Always use charcoal shears or similar tools to handle fuel.
- Be aware that sparks may fly from some types of fuel. Take special care on windy days and do not use in strong winds.
- Do not throw, drop, hit or otherwise impact the product.
- Never use the product with any modifications or alterations.
- Do not cool the product suddenly by pouring water on it. It may cause deformation, damage, or burns.
- Inspect each time before use. Do not use the product if it is deformed or damaged, or if the deck is cracked or broken.
- Be very careful not to pinch fingers or hands. Take special care when children are present.
- For safety reasons, do not allow children to assemble or store the product.
- After use, allow the table to cool completely by leaving it to cool naturally before cleaning up.
- The heat from the fire may deform the body and each component. In addition, the main body and each component may be discolored by burning.